

Represented by PackSys Global

## Digital Services

Providing digital services to machine and industrial product manufacturers



**PackSys Global Engineering Services** offers high quality engineering design, technical documentation, digital, global sourcing and supply chain services. We provide services to machine and industrial product manufacturers. Our team of experts use state-of-the-art, best-in-class working tools and data formats to deliver unique solutions.

With the advent of Industry 4.0, content is no longer static. It is becoming more and more agile and flexible in terms of the context and delivery platforms on which it is delivered. For B2B markets, this implies changes to be made to the existing documentation systems to adapt a more flexible and cohesive approach.

Machine manufacturers globally recognize digital services as an essential element for customer interaction. Setting up and operating such services absorb considerable after-sales, engineering and marketing resources. You can rely on us as your partner for implementing, maintaining and managing your digital services and platforms. Our team of engineers offer a wide range of digital services to add value to product documentations.

Our web-based e-Portal helps the user to quickly identify and raise enquiry/order for spare parts. This results in considerable time saving in locating the right part and delivering to client at the right price and right time.

Continuous training of customers is essential for optimal utilization of machines and products. We provide e-learning solutions to package and deliver various forms of training to customers. Be it content creation or developing a full-fledged Learning Management System (LMS), our solution is customized based on the clients business need.

Today, mobile is the default medium of communication for most of us. We have developed applications to deliver information to customers to operate, maintain and service machines/ products on the go. We have also developed automated workflows to integrate data exchange amongst design, technical documentation, electrical and service departments.

### Your Benefits

- Vast experience with global companies
- Highly skilled engineers with 15+years of domain experience
- Well-versed with standards and design tools
- Best practices across domains and products
- Stringent quality assurance processes
- No time shift, no intercultural learning curve

Welcome to your e-Portal

Machines

Size parts

Downloads

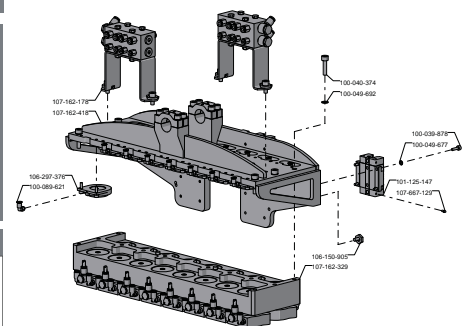
Account

Basket

Login

Line documentation

- Electrical documentation
  - ▶ Multi Station Machine 5 /6 (EN) (101-125-147)
- Operating manual
  - ▶ Multi Station Machine 5 /6 (EN) (101-125-147)
  - ▶ Multi Station Machine 5 /6 (GER) (101-125-147)
  - ▶ Multi Station Machine 5 /6 (ZHO) (101-125-147)
- Appendix
  - ▶ Ringspan done-clamping (EN) (106-297-376)
  - ▶ KTR-Cl Safety coupling (EN) (107-162-329)
  - ▶ Festo filter and pressure regulator (EN) (107-162-178)



Article number	Description	Quantity	Machine view
▶ 107-162-418	Repressing carriage	1 PCS	
▶ 107-162-329	Repressing cassette cpt	1 PCS	
▶ 101-125-147	Guide carriage	1 PCS	
▶ 106-297-376	Clamping module	16 PCS	
▶ 107-162-178	Air distributor	2 PCS	



## e-Portal:

The e-Portal is a web-based platform designed to give access to machine relevant information anywhere and anytime during the entire life cycle of a product. It provides an interactive platform for the users to understand the assemblies and components of machines.

The key features of our e-Portal solution are:

- The ability of machine operators to access updated information
- Easy and quick identification of parts, components and other machine related information
- Repository of all machine manuals, supplier manuals and documentation

Our services include:

- Consultation and implementation of e-Portal.
- Data migration to the e-Portal.
- Portal administration, maintenance and upgrade.
- Data change management.

## e-Learning:

It is important to provide continuous training support to various users; operators, supervisors, maintenance staff and so on. We have expertise to create different forms of e-learning (CBT/WBT) content for effective training.

The benefits of our e-learning solution are:

- Reduction of time to train new employees
- Increase in production efficiency and training flexibility
- Videos/animations to make complex product training easier and interesting

Our services include:

- Consultation and implementation of LMS portal
- Content creation
- Portal administration, maintenance and upgrade
- Content change management



## Documentation apps:

In the current technologically advanced market, it is imperative for manufacturers to provide technical documentation on portable devices. We develop mobile based apps for distribution of technical content to the target users.

Our services include:

- Apps development
- Content development
- Apps updation
- Content updation

Seamless information exchange between the design, after-sales and documentation teams is required to maintain up-to-date information. We have developed apps to handle such requirements.

## Asset digitization:

As the delivery platforms are digitizing, the age old content which is in physical form needs digitization too!! Many machine manufactures have critical design data and documentation in hard copy. We can help in converting these into digital forms like word, pdf, CAD files and so on, based on the need. It is not a mere data conversion but a more intelligent approach to make the data adaptable based on the media on which it will be used.

- Document scanning
- Legacy data digitization

We also offer: Engineering design, technical documentation, and supply chain services. Find out more on our website.